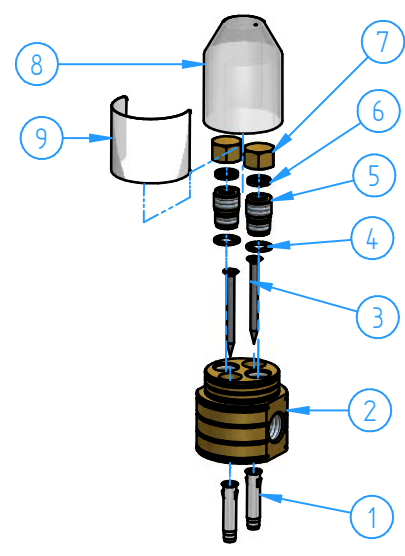


2	B077-010	Concealed body set for floor-standing mixer	1
1	AR187EXT-00	External parts for floor-standing bathtub mixer	1
ID Nr	Code	Description	Pcs

49	AR354-00	Hand shower	1
48	M352-002	Check valve CV15-FR with flow regulator 9.0 l/min (Neoperl 31.2018.100)	1
47	AR015-00	Flexible hose	2
46	B077-003	G 3/8" Flexible pipe cold water	1
45	B077-002	G 3/8" Flexible pipe hot water	1
44	AR077-06	Locking nut for base flange	1
43	B077-08	O.ring 117x3.53	1
42	AR077-04	Base flange	1
41	AR077-009	Fixing set	3
40	AR077-03	Pillar base	1
39	B077-47	Dowel M6	1
38	AR077-02	Pillar	1
37	B077-06	O.ring 36.14x2.62	2
36	AR077-05	Support for mixer body	1
35	AR077-20	Cup for body mixer	1
34	AR077-22	O.Ring 5.28x1.78	1
33	AR077-001	Handle kit	1
32	AR031-04	Dome	1
31	AR031-03	Locking nut	1
30	AR004-010	Ceramic cartridge (0135CF0C-008)	1
29	AR004-06	Locking nut for cover cartridge	1
28	AR004-04	Cover cartridge	1
27	AR031-001	Diverter handle kit	1
26	CB029-06	Screw M4x10 UNI 6957	1
25	CB005-11	Washer 4x12 UNI 6953	1
24	AR077-13	Diverter insert	1
23	AR077-12	Locking nut for diverter cartridge	1
22	CB029-001	2-Ways diverter cartridge without shut-off	1
21	AR077-11	Internal cover for diverter cartridge	1
20	AR077-23	O.Ring 35x2	1
19	AR077-10	Distributor body for diverter	1
18	BR077-16	O.Ring 23,52x1.78	1
17	AR077-14	Flexible hose nipple	1
16	AR077-24	Screw M4x6 UNI 5927	1
15	AR077-09	Handshower support	1
14	AR517-08	O.ring 13.94x2.62	1
13	AR077-15	Support handshower nipples	1
12	BR005-15	O.Ring 17,17x1,78	2
11	AR077-01	Body mixer	1
10	B077-05	O.ring 10.82x1.78	1
9	AR077-21	Screw for distributor body	1
8	AR095-04	O.Ring 20x2	1
7	AR077-16	Spout connector	1
6	AR077-17	Ring 28.8 x 24.3 x 2.5	1
5	AR077-18	Open ring 24,5 x 19 x 12	1
4	AR077-19	O.ring 18.72x2.62	2
3	AR077-25	Dowel M4x4	1
2	AR087-01	Spout for AR087-AR078W	1
1	B077-001	Flow guide (Cachè STD)	1
ID Nr	Code	Description	Pcs



9	CB077-07	Label for installation depth	1
8	B077-36	Protection cover	1
7	B077-50	3/8 Plug	2
6	B077-04	Washer	2
5	B077-49	Connection 3/8"	2
4	B077-52	O-Ring 12.42x1.78	2
3	SDS7-29	Anchor screw	2
2	B077-35	Distributor	1
1	SDS7-14	Anchor plug	2
ID Nr	Code	Description	Pcs

N°		REVIEW	Date	Sheet	1 of 3
Description				Scale	
Floor-standing bathtub mixer, with flexible hose and hand shower				1:5	
Code				Material	
AR187-00				Weight	
Date of issue				0 kg	
03/03/2026				Chamfers not quoted	
0.5x45°				SM Grinding	
LU Polishing				CR GN	
This drawing is property reserved of Hotbath Srl. Without express authorization, the copying, distribution and utilization of this document as well as the communication to others is prohibited.				hotbath Italian bathroomware	