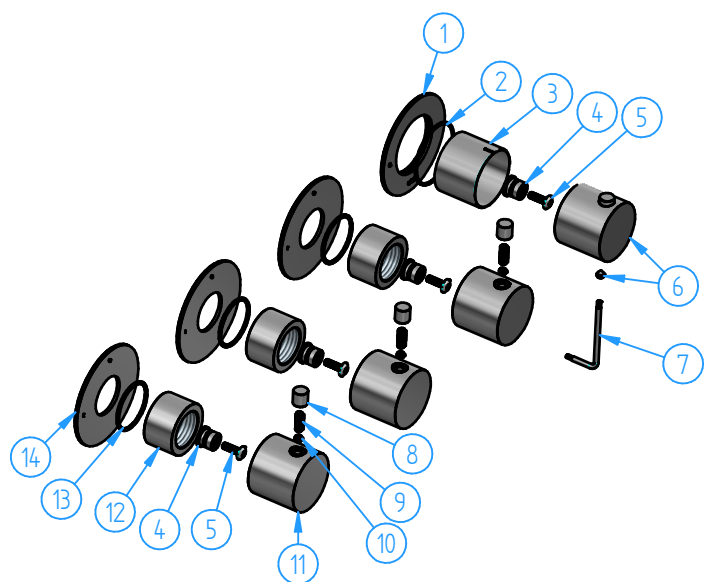
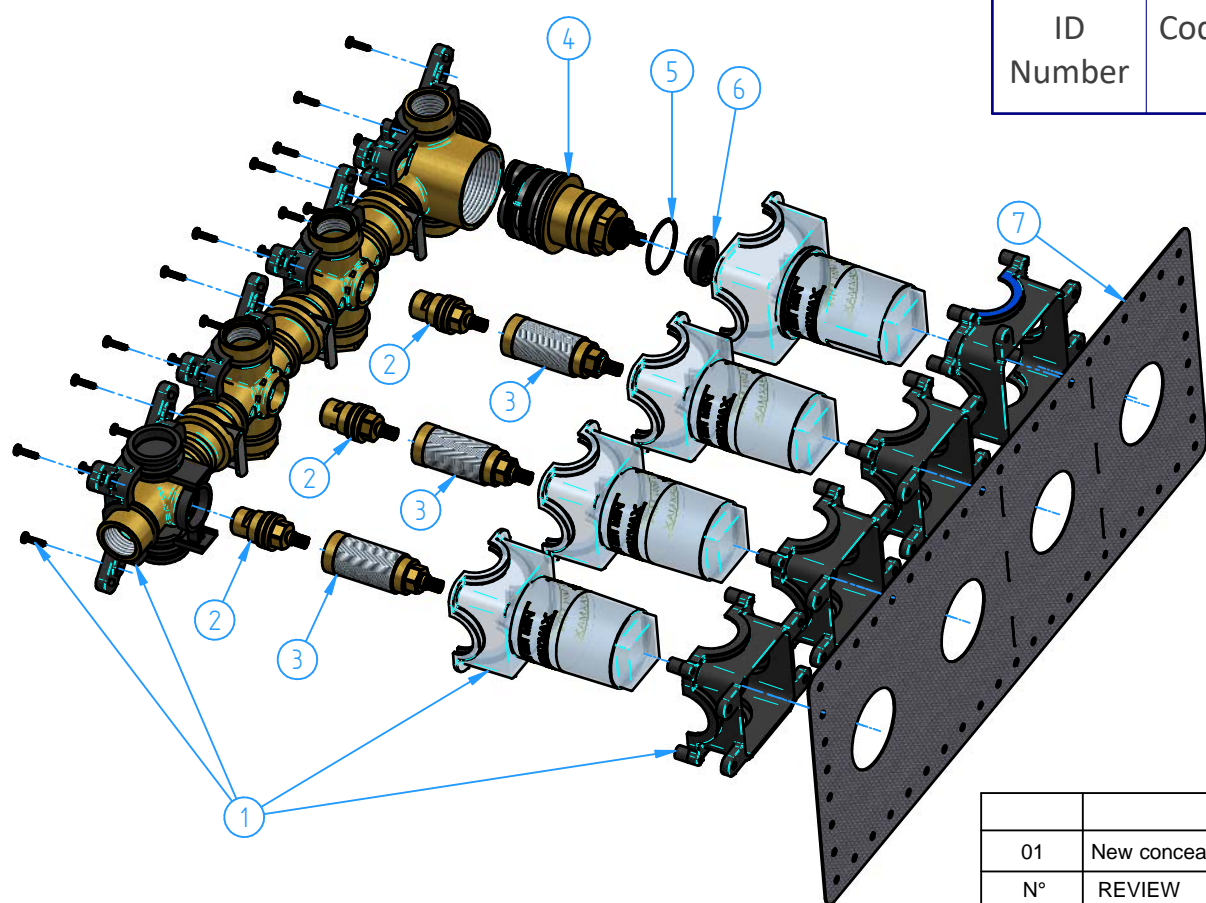


2	AR7070EXT-00	Trim parts for AR7070	1
1	HBCB7070-00	Concealed set for CB7070-AR7070	1
ID Number	Code	Description	Pcs



14	AR7068-02	Wall flange for stop valve	3
13	CB7068-06	O.ring 31.47x1.78	3
12	AR7068-07	Locking nut for wall flange	3
11	AR7068-01	Handle body for stop valve	3
10	CB7068-03	Dowel M5x5	3
9	CB7068-05	Dowel M5x14	3
8	AR7068-04	Handle pin	3
7	CB7068-08	Allen wrench 2,5 mm	1
6	AR7001-001	Thermostatic handle	1
5	CB0768-10	Screw	4
4	AR7068-05	Adaptor	4
3	AR7001-02	Cover	1
2	CB7001-03	O.ring 40x2	1
1	AR7001-01	Wall flange for thermostatic	1
ID Number	Code	Description	Pcs



7	HBCB7070-01	Wall gasket	1
6	HBCB7001-01	Stop ring	1
5	HBCB7001-02	O.ring 34.65x1.78	1
4	HBCB7001-001	Thermostatic cartridge (with stop valves and filters)	1
3	HBCB7068-002	Extension for headwork	3
2	HBCB7068-003	Ceramic headwork	3
1	HBCB7070-002	Preassembled set for HBCB7070	1
ID Number	Code	Description	Pcs

		Sheet 1 of 1	
01	New concealed box	Date	Scale 1:5
N°	REVIEW		
Description			Material
Concealed thermostatic shower mixer, with 3 stop valves			Weight
			0 kg
Code	Date of issue	Chamfers not quoted	
AR7070-00	06/12/2023	0.5x45°	
<small>This drawing is property reserved of Hotbath Srl. Without express authorization, the copying, distribution and utilization of this document as well as the communication to others is prohibited.</small>			 hotbath Italian bathroomware