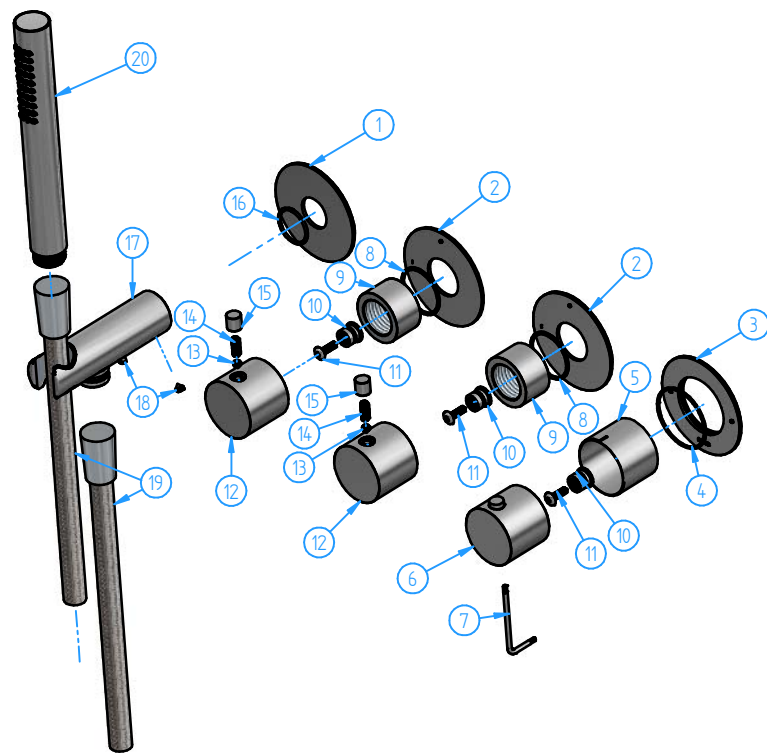
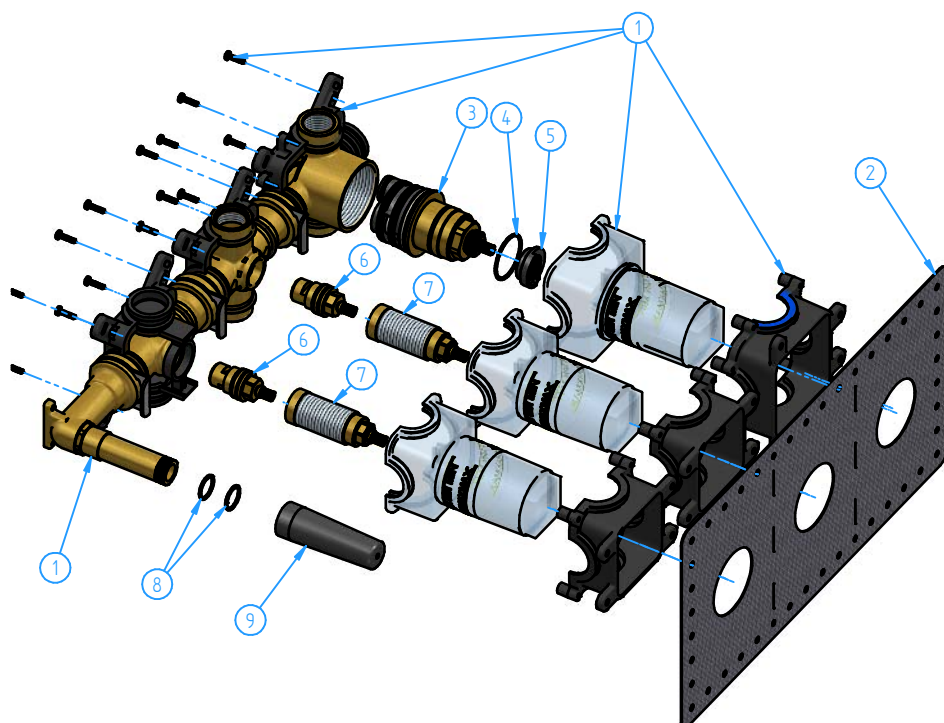


2	AR7171EXT-00	External parts for AR7171	1
1	HBCB7071-00	Internal parts for thermomix with 2 stop valves and hand shower	1
ID Number	Code	Description	Pcs



20	AR354-00	Hand shower	1
19	AR015-00	Flexible hose	1
18	CB7501-04	Dowel M5x5	2
17	AR7501-001	Wall coupling with hand shower bracket	1
16	CB7501-05	O.ring 23.52x1.78	1
15	AR7068-04	Handle pin	2
14	CB7068-05	Dowel M5x14	2
13	CB7068-03	Dowel M5x5	2
12	AR7068-01	Handle body for stop valve	2
11	CB0768-10	Screw	3
10	AR7068-05	Adaptor	3
9	AR7068-07	Locking nut for wall flange	2
8	CB7068-06	O.ring 31.47x1.78	2
7	CB7068-08	Allen wrench 2,5 mm	1
6	AR7001-001	Thermostatic handle	1
5	AR7001-02	Cover	1
4	CB7001-03	O.ring 42x1,5	1
3	AR7001-01	Wall flange for thermostatic	1
2	AR7068-02	Wall flange for stop valve	2
1	AR7501-01	Wall flange for spout and hand shower support	1
ID Number	Code	Description	Pcs



9	HBCB7071-01	Protection cover	1
8	CB7501-06	O.ring 17.17x1.78	2
7	HBCB7068-002	Extension for headwork	2
6	HBCB7068-003	Ceramic headwork	2
5	HBCB7001-01	Stop ring	1
4	HBCB7001-02	O.ring 34.65x1.78	1
3	HBCB7001-001	Thermostatic cartridge (with stop valves and	1
2	HBCB7066-01	Wall gasket	1
1	HBCB7071-006	Preassembled set for HBCB7071	1
ID Number	Code	Description	Pcs

		Sheet <b>1 of 3</b>	
02	New model of concealed box	01/09/22	Scale 1:5
N°	REVIEW	Date	
Description			Material
Concealed thermostatic mixer for bathtub, with 2 stop valves and hand shower			Weight 0 kg
Code <b>AR7171-00</b>	Date of issue 04/12/2023	Chamfers not quoted 0.5x45°	
<small>This drawing is property reserved of Hotbath Srl. Without express authorization, the copying, distribution and utilization of this document as well as the communication to others is prohibited.</small>			 italian bathroomware