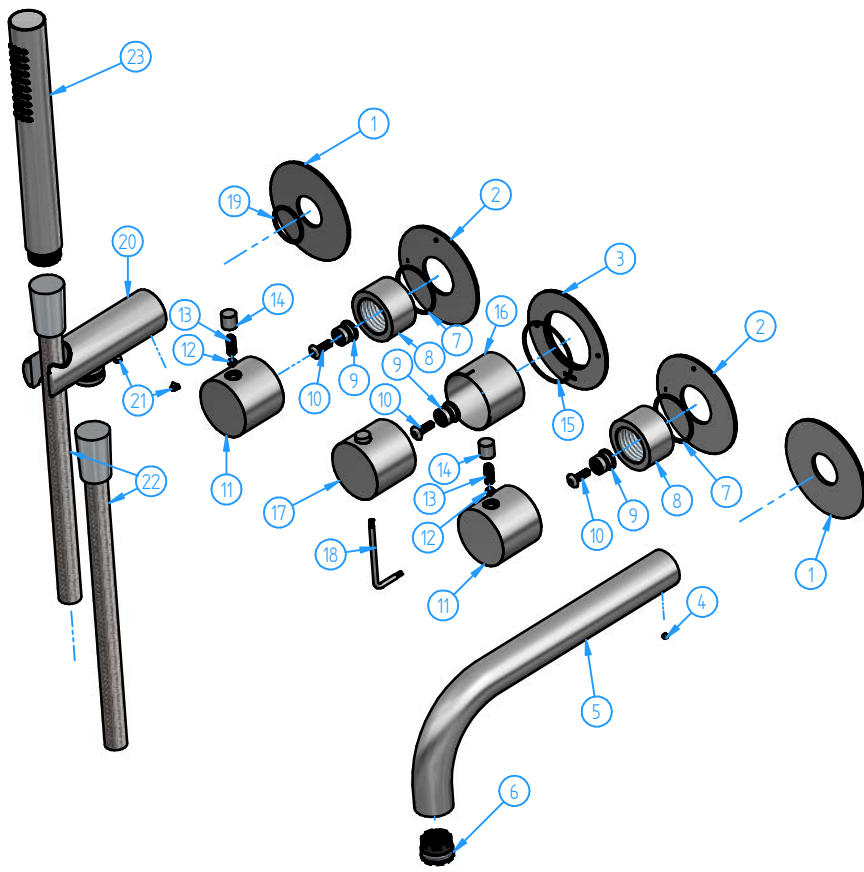
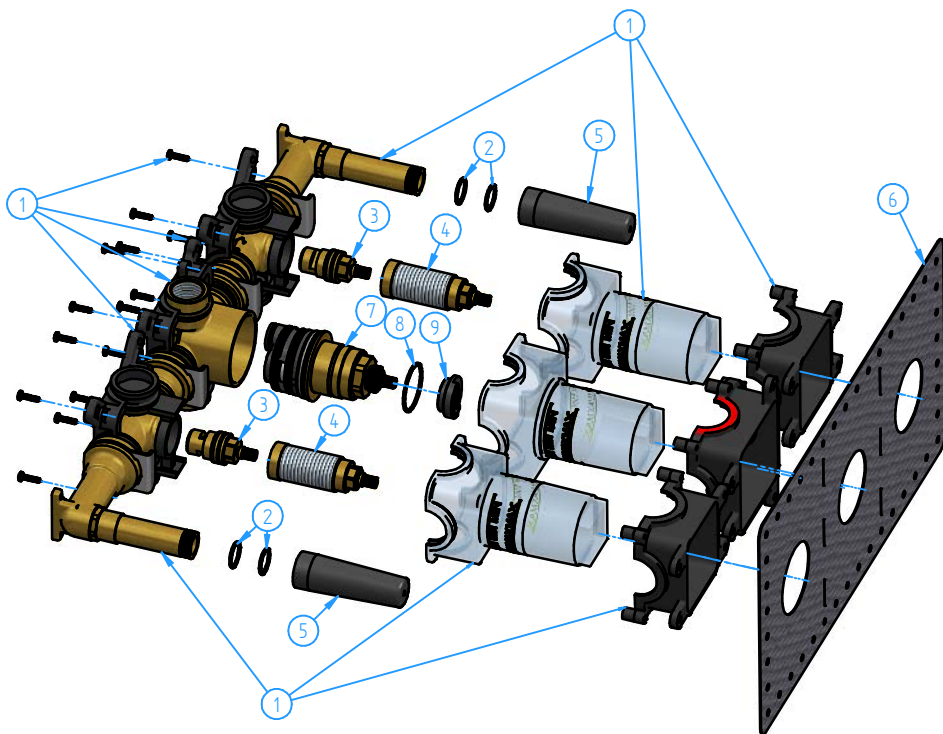


2	AR7172EXT-00	External parts for AR7172	1
1	HBCB7072-00	Internal parts for thermostatic mixer for bathtub	1
ID Number	Code	Description	Pcs



23	AR354-00	Hand shower	1
22	AR015-00	Flexible hose	1
21	CB7501-04	Dowel M5x5	2
20	AR7501-001	Wall coupling with hand shower bracket	1
19	CB7501-05	O.ring 23.52x1.78	1
18	CB7068-08	Allen wrench 2,5 mm	1
17	AR7001-001	Thermostatic handle	1
16	AR7001-02	Cover	1
15	CB7001-03	O.ring 42x1,5	1
14	AR7068-04	Handle pin	2
13	CB7068-05	Dowel M5x14	2
12	CB7068-03	Dowel M5x5	2
11	AR7068-01	Handle body for stop valve	2
10	CB0768-10	Screw	3
9	AR7068-05	Adaptor	3
8	AR7068-07	Locking nut for wall flange	2
7	CB7068-06	O.ring 31.47x1.78	2
6	CB7098-001	Flow guide 21,5x1	1
5	AR7098-01	Body spout	1
4	CB7098-02	Dowl M4x3	1
3	AR7001-01	Wall flange for thermostatic	1
2	AR7068-02	Wall flange for stop valve	2
1	AR7501-01	Wall flange for spout and hand shower support	2
ID Number	Code	Description	Pcs



9	HBCB7001-01	Stop ring	1
8	HBCB7001-02	O.ring 34.65x1.78	1
7	HBCB7001-001	Thermostatic cartridge (with stop valves and	1
6	HBCB7066-01	Wall gasket	1
5	HBCB7071-01	Protection cover	2
4	HBCB7068-002	Extension for headwork	2
3	HBCB7068-003	Ceramic headwork	2
2	CB7501-06	O.ring 17.17x1.78	4
1	HBCB7072-006	Preassembled set for HBCB7072	1
ID Number	Code	Description	Pcs

		Sheet <b>1 of 3</b>	
02	New model of concealed box	01/09/22	Scale 1:5
N°	REVIEW	Date	
Description			Material
Concealed thermostatic mixer for bathtub, with 2 stop valves, spout and hand shower			Weight 0 kg
Code <b>AR7172-00</b>	Date of issue 03/03/2026	Chamfers not quoted 0.5x45°	
<small>This drawing is property reserved of Hotbath Srl. Without express authorization, the copying, distribution and utilization of this document as well as the communication to others is prohibited.</small>			