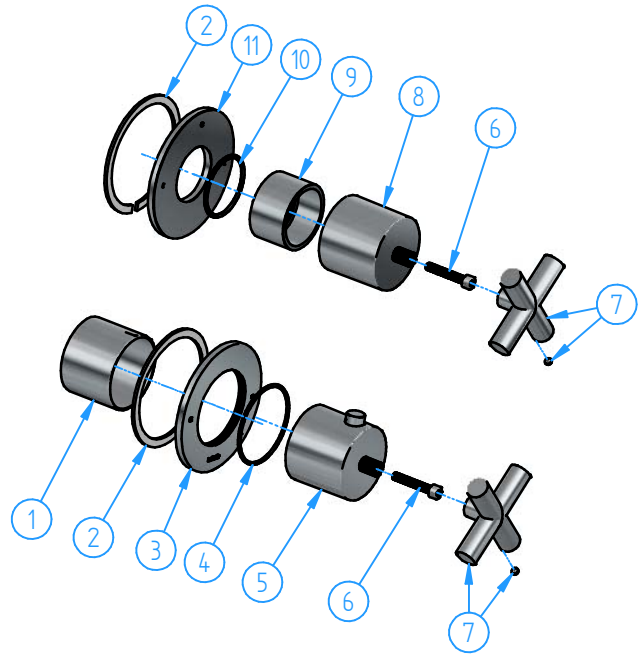
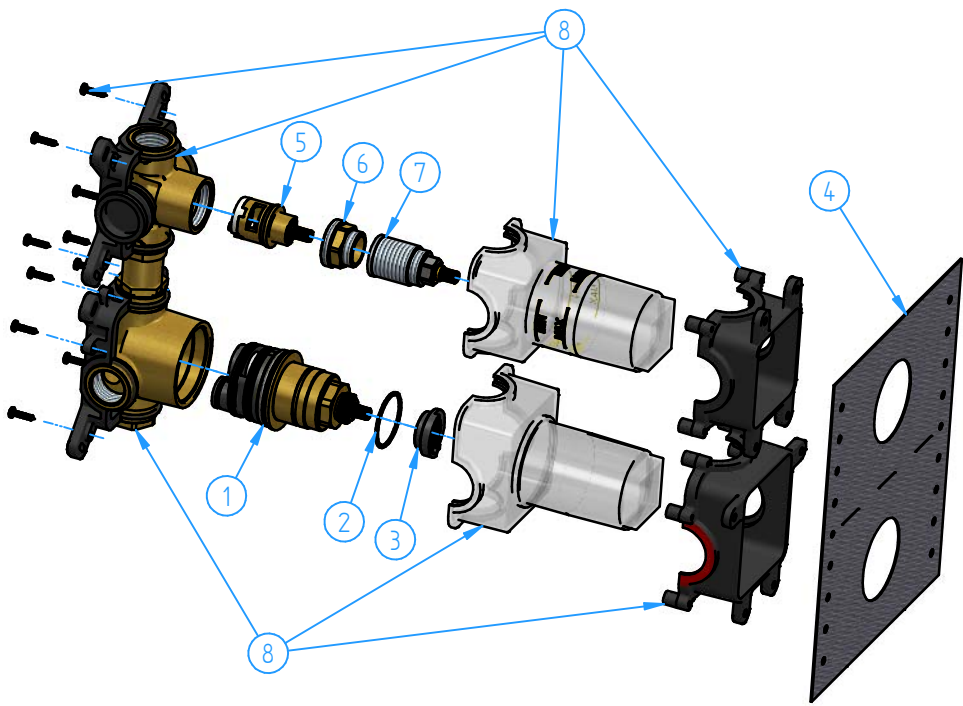


2	HBCB7009-00	Internal parts for CB7009-AR7009-GL7009-GY7009R/D-C7009	1
1	C7009EXT-00	External parts for C7009	1
ID Number	Code	Description	Pcs



11	CB7080-01	Wall flange	1
10	CB7068-06	O.ring 31.47x1.78	1
9	CB7068-07	Locking nut for wall flange	1
8	C7068-01	Handle body for stop valve/diverter	1
7	C7001-002	Cross handle set	2
6	C7001-04	Screw M4x25	2
5	C7001-001	Thermostatic handle set	1
4	CB7001-03	O.ring 40x2	1
3	CB7001-01	Wall flange	1
2	CB7068-09	Washer for flange	2
1	CB7001-02	Cover	1
ID Number	Code	Description	Pcs



8	HBCB7009-00	Preassembled set for HBCB7009	1
7	HBCB7080-00	Extension for diverter cartridge	1
6	HBCB7080-02	Locking nut	1
5	B016-001	2-Ways diverter cartridge	1
4	HBCB07009-0	Wall gasket	1
3	HBCB7001-01	Stop ring	1
2	HBCB7001-02	O.ring 34.65x1.78	1
1	HBCB7001-00	Thermostatic cartridge (with stop valves and filters)	1
ID Number	Code	Description	Pcs

		Sheet 1 of 3	
N°	REVIEW	Date	Scale 1:4
Description Concealed thermostatic shower mixer, with 2 ways diverter			Material
			Weight 0 kg
Code C7009-00	Date of issue 06/02/2025	Chamfers not quoted 0.5x45°	
<small>This drawing is property reserved of Hotbath Srl. Without express authorization, the copying, distribution and utilization of this document as well as the communication to others is prohibited.</small>			