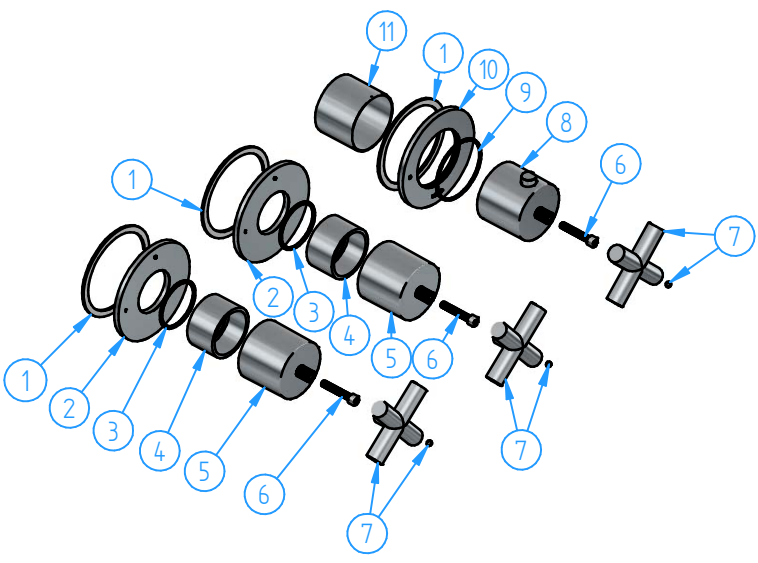
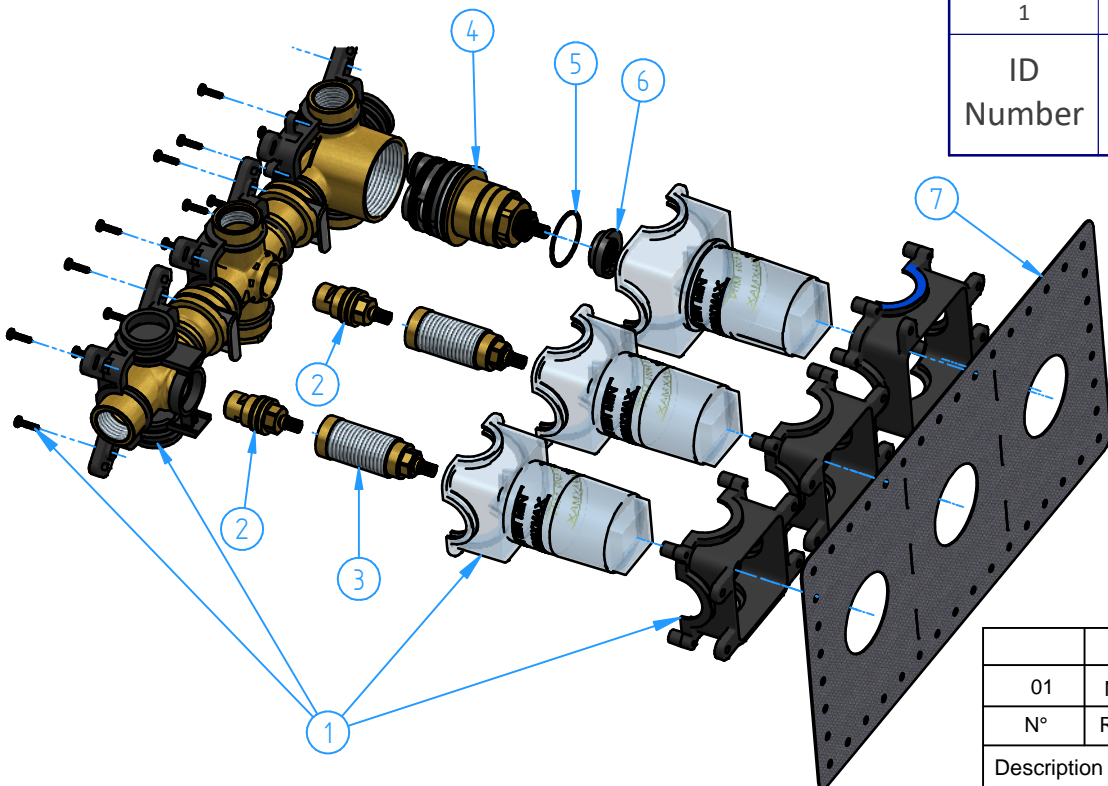


2	C7066EXT-00	External parts for C7066-C7067	1
1	HBCB7067-00	Internal parts for horizontal thermostatic mixer with 2 stop valves	1
ID Number	Code	Description	Pcs



11	CB7001-02	Cover	1
10	CB7001-01	Wall flange	1
9	CB7001-03	O.ring 42x1,5	1
8	C7001-001	Thermostatic handle set	1
7	C7001-002	Cross handle set	3
6	C7001-04	Screw M4x25	3
5	C7068-01	Handle body for stop valve/diverter	2
4	CB7068-07	Locking nut for wall flange	2
3	CB7068-06	O.ring 31.47x1.78	2
2	CB7068-02	Wall flange	2
1	CB7068-09	Washer for flange	3
ID Number	Code	Description	Pcs



7	HBCB7066-01	Wall gasket	1
6	HBCB7001-01	Stop ring	1
5	HBCB7001-02	O.ring 34.65x1.78	1
4	HBCB7001-001	Thermostatic cartridge (with stop valves and filters)	1
3	HBCB7068-002	Extension for headwork	2
2	HBCB7068-003	Ceramic headwork	2
1	HBCB7066-006	Preassembled set for HBCB7066	1
ID Number	Code	Description	Pcs

		Sheet <b>1 of 3</b>	
01	New model of box	01/09/22	Scale 1:5
N°	REVIEW	Date	
Description			Material
Concealed thermostatic shower mixer, with 2 stop valves			Weight 0 kg
Code <b>C7067-00</b>	Date of issue 11/05/2026	Chamfers not quoted 0.5x45°	
<small>This drawing is property reserved of Hotbath Srl. Without express authorization, the copying, distribution and utilization of this document as well as the communication to others is prohibited.</small>			