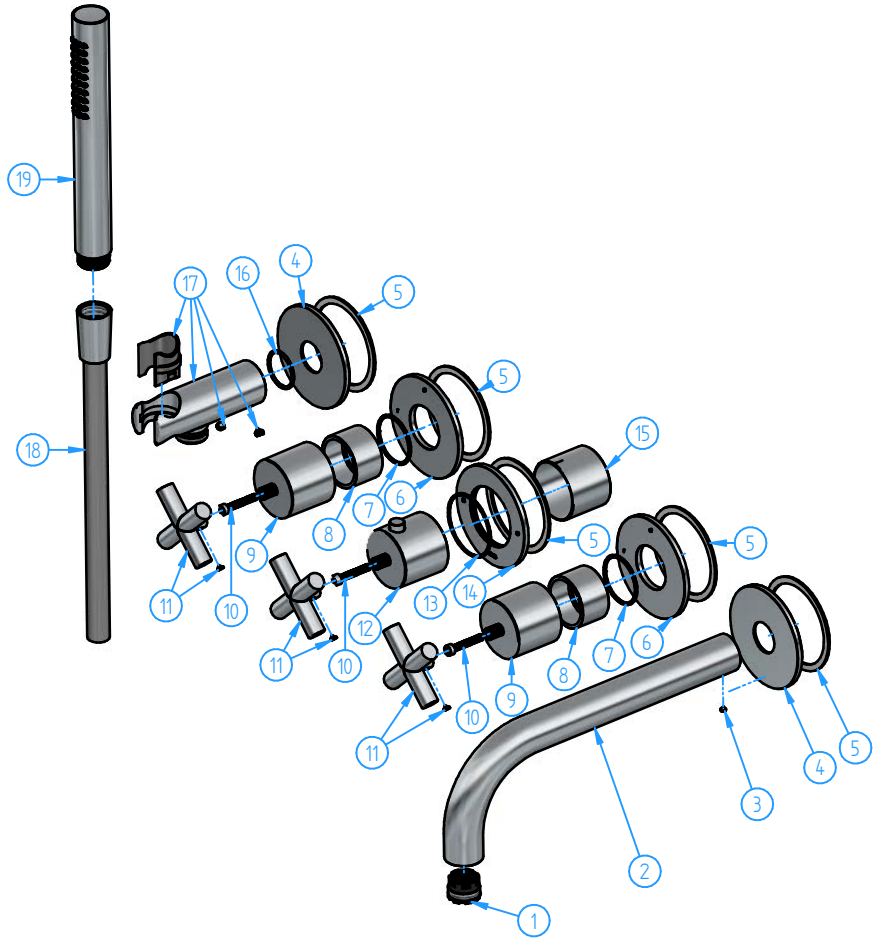
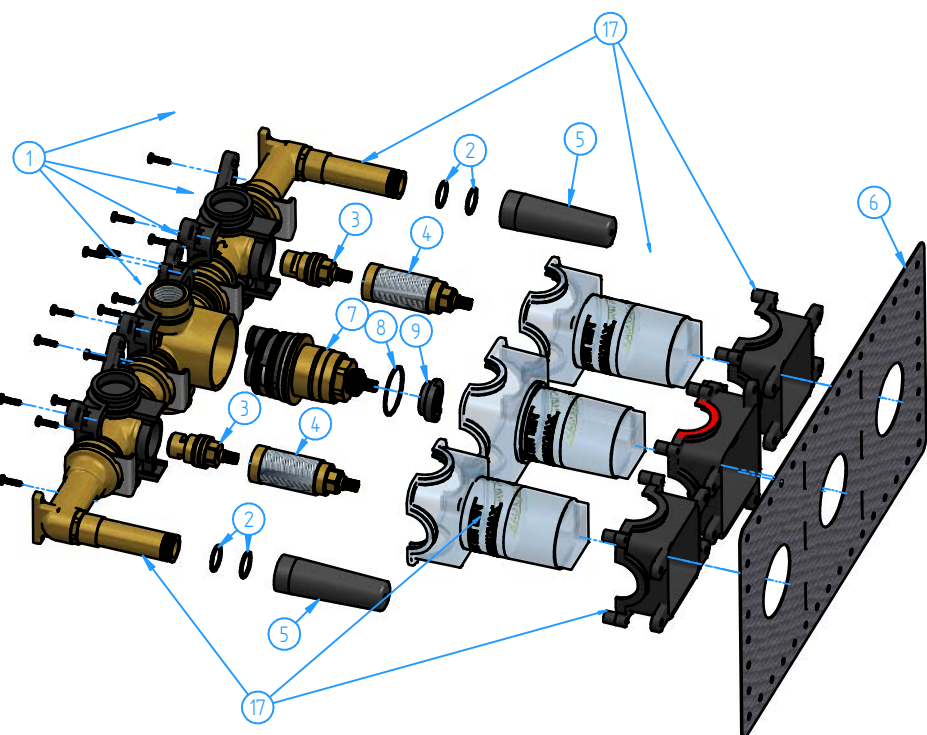


2	C7072EXT-00	External parts for C7072	1
1	HBCB7072-00	Concealed parts for CB7072-CX7072-CW7072-GL7072-AR7072-GY7072-C7072	1
ID Nr	Code	Description	Pcs



19	M354-00	Hand shower	1
18	M015-00	Flexible hose	2
17	CB7501-001	Wall coupling with hand shower bracket	1
16	CB7501-05	O.ring 23.52x1.78	1
15	CB7001-02	Cover	1
14	CB7001-01	Wall flange	1
13	CB7001-03	O.ring 40x2	1
12	C7001-001	Thermostatic handle set	1
11	C7001-002	Cross handle set	3
10	C7001-04	Screw M4x25	3
9	C7068-01	Handle body for stop valve/diverter	2
8	CB7068-07	Locking nut for wall flange	2
7	CB7068-06	O.ring 31.47x1.78	2
6	CB7068-02	Wall flange	2
5	CB7068-09	Washer for flange	5
4	CB7501-01	Wall flange	2
3	CB7098-02	Dowl M4x3	1
2	CB7098-01	Spout	1
1	CB7098-001	Flow guide 21,5x1	1
ID Nr	Code	Description	Pcs



17	HBCB7072-006	Preassembled set for HBCB7072	1
9	HBCB7001-01	Stop ring	1
8	HBCB7001-02	O.ring 34.65x1.78	1
7	HBCB7001-001	Thermostatic cartridge (with stop valves and filters)	1
6	HBCB7066-01	Wall gasket	1
5	HBCB7071-01	Protection cover	2
4	HBCB7068-002	Extension for headwork	2
3	HBCB7068-003	Ceramic headwork	2
2	CB7501-06	O.ring 17.17x1.78	4
ID Nr	Code	Description	Pcs

		Sheet 1 of 3	
N° REVIEW		Date	Scale 1:5
Description Concealed thermostatic mixer for bathtub, with 2 stop valves, spout and hand shower			Material
			Weight 0 kg
Code C7072-00	Date of issue 06/02/2025	Chamfers not quoted 0.5x45°	
<small>This drawing is property reserved of Hotbath Srl. Without express authorization, the copying, distribution and utilization of this document as well as the communication to others is prohibited.</small>			