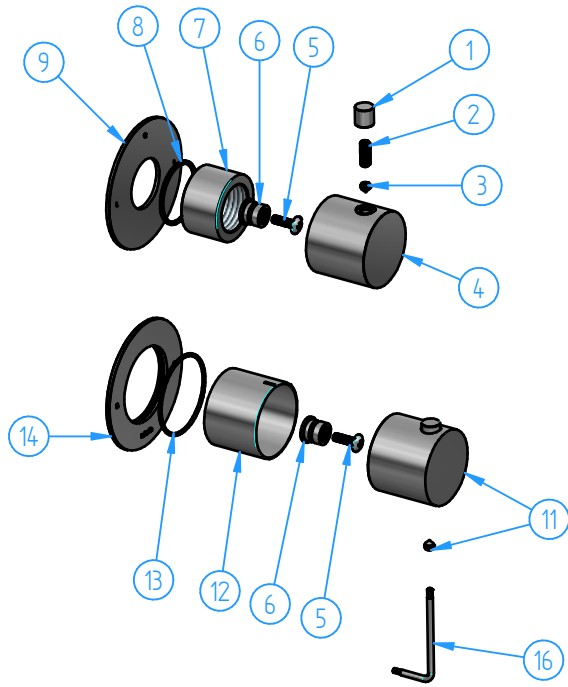
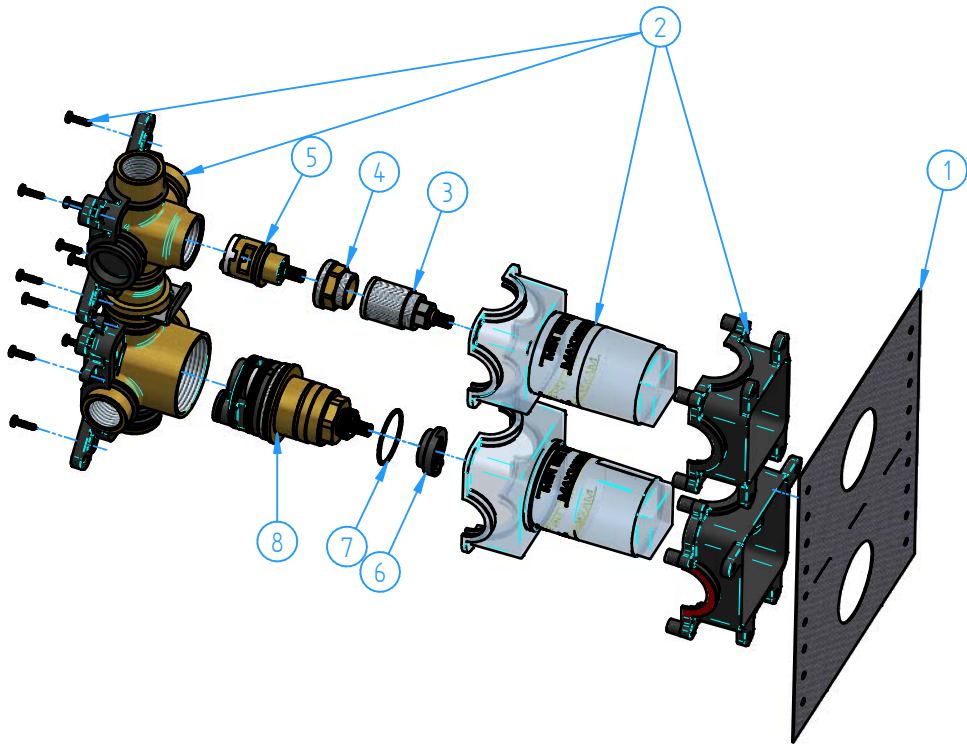


2	HBCB7009-00	Concealed set for CB7009-AR7009-GL7009	1
1	AR7009EXT-00	Trim parts for AR7009EXT	1
ID Number	Code	Description	Pcs



16	CB7068-08	Allen wrench 2,5 mm	1
14	AR7001-01	Wall flange for thermostatic	1
13	CB7001-03	O.ring 40x2	1
12	AR7001-02	Cover	1
11	AR7001-001	Thermostatic handle	1
9	AR7009-01	Wall flange for 2 ways diverter	1
8	CB7068-06	O.ring 31.47x1.78	1
7	AR7068-07	Locking nut for wall flange	1
6	AR7068-05	Adaptor	2
5	CB0768-10	Screw	2
4	AR7068-01	Handle body for stop valve	1
3	CB7068-03	Dowel M5x5	1
2	CB7068-05	Dowel M5x14	1
1	AR7068-04	Handle pin	1
ID Number	Code	Description	Pcs



8	HBCB7001-001	Thermostatic cartridge (with stop valves and	1
7	HBCB7001-02	O.ring 34.65x1.78	1
6	HBCB7001-01	Stop ring	1
5	B016-001	2-Ways diverter cartridge	1
4	HBCB7080-02	Locking nut	1
3	HBCB7080-002	Extension for diverter cartridge	1
2	HBCB7009-002	Preassembled set for HBCB7009	1
1	HBCB07009-01	Wall gasket	1
ID Number	Code	Description	Pcs

		Sheet 1 of 1	
01	New concealed box		
N°	REVIEW	Date	Scale 1:5
Description			Material
Concealed thermostatic shower mixer, with 2 ways diverter			Weight 0 kg
Code AR7009-00	Date of issue 04/12/2023	Chamfers not quoted 0.5x45°	
<small>This drawing is property reserved of Hotbath Srl. Without express authorization, the copying, distribution and utilization of this document as well as the communication to others is prohibited.</small>			